



UES65B1-XXXYYYSPA

Product Features

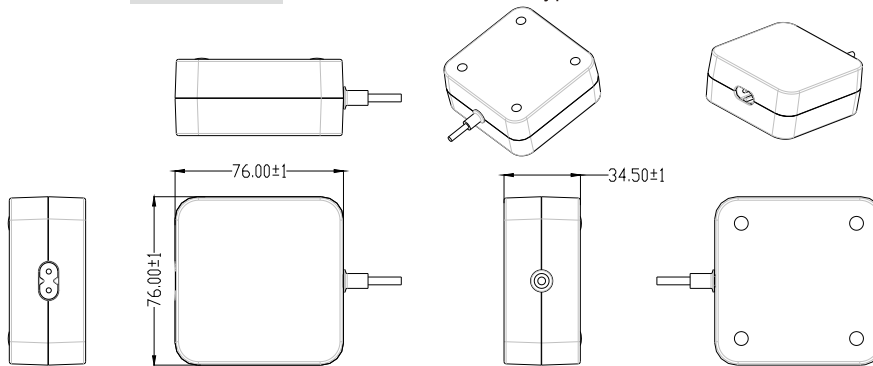
- Medical & household safety approvals
- 2 MOPP input to output isolation
- Touch current : $\leq 100\mu\text{A}$
- Energy efficiency level VI
- $\leq 0.15\text{W}$ standby power
- 11V to 24V outputs, up to 65W

Models & Parameters

Model Number	Voltage ⁽¹⁾	Current	Rated Power	Ripple & Noise (max) ⁽²⁾	Voltage Tolerance	Line & Load Regulation	Efficiency	Start Up Delay
UES65B1-XXXYYYSPA	11.0-12.0	0.01-5.00	60.00W	200mVpk-pk	$\pm 5\%$	Line: $\pm 1\%$ Load: $\pm 5\%$	88.0%	$\leq 3\text{s}$
	12.1-13.0	0.01-4.61	60.00W	200mVpk-pk	$\pm 5\%$		88.0%	$\leq 3\text{s}$
	13.1-14.0	0.01-4.28	60.00W	200mVpk-pk	$\pm 5\%$		88.0%	$\leq 3\text{s}$
	14.1-15.0	0.01-4.00	60.00W	200mVpk-pk	$\pm 5\%$		88.0%	$\leq 3\text{s}$
	15.1-16.0	0.01-3.75	60.00W	200mVpk-pk	$\pm 5\%$		88.0%	$\leq 3\text{s}$
	16.1-17.0	0.01-3.52	60.00W	200mVpk-pk	$\pm 5\%$		88.0%	$\leq 3\text{s}$
	17.1-18.0	0.01-3.33	60.00W	200mVpk-pk	$\pm 5\%$		88.0%	$\leq 3\text{s}$
	19.0	0.01-3.42	65.00W	240mVpk-pk	$\pm 5\%$		88.0%	$\leq 3\text{s}$
	19.1-20.0	0.01-3.25	65.00W	240mVpk-pk	$\pm 5\%$		88.0%	$\leq 3\text{s}$
	20.1-21.0	0.01-3.09	65.00W	240mVpk-pk	$\pm 5\%$		88.0%	$\leq 3\text{s}$
	21.1-22.0	0.01-2.95	65.00W	240mVpk-pk	$\pm 5\%$		88.0%	$\leq 3\text{s}$
	22.1-23.0	0.01-2.82	65.00W	240mVpk-pk	$\pm 5\%$		88.0%	$\leq 3\text{s}$
	23.1-24.0	0.01-2.71	65.00W	240mVpk-pk	$\pm 5\%$		88.0%	$\leq 3\text{s}$

Mechanical Details

DC Cable⁽³⁾: UI1185 16AWG 1,500mm
 Connector⁽⁴⁾: 2.5x5.5x11.0mm, fork type, centre "+"



Unit: mm

Notes

(*1,3,4) Other options are available, please contact our sales representative for details.

(*2) Measured at output connector with 20MHz bandwidth and 0.1uF ceramic in parallel with 10uF electrolytic capacitors

Input

Input Voltage Range	90-264VAC
Frequency Range	47-63Hz
Input Current	1.5A at 100VAC
Inrush Current	140A max at 240VAC cold start
Touch Leakage Current ^(max)	≤100µA at 264VAC

Environmental

Operating Temperature	0°C to 40°C
Storage Temperature	-20°C to 60°C
Operating Humidity	10% to 90% RH, non-condensing
Storage Humidity	5% to 95% RH
Operating Altitude	5,000m

General

Dimensions	76.0(L)x76.0(W)x34.5(H)mm
Weight	260g
MTBF	>50,000hrs MIL-HDBK-217 at 25°C

Protection

Overload	110-220% rated output power, auto recovery
Over Voltage	110-150% rated output voltage input to reset
Short Circuit	Trip and restart (hiccup mode)

Safety Approvals

Safety Agency / Mark	Medical	Household
CB	IEC60601-1	IEC61558-1
PSE	-	J61558-1
TUV-SUD-NRTL	ANSI/AAMI ES60601-1 CAN/CSA C22.2 NO.60601-1	-
TUV-SUD-MARK	EN60601-1	-

EMC

Emission	Medical	HOUS
Conduction	IEC/EN60601-1-2, CISPR 11	EN55014
Radiation	IEC/EN60601-1-2, CISPR 11	EN55014
Harmonic Currents	EN61000-3-2, Class A	EN61000-3-2, Class A
Voltage Flicker	EN61000-3-3	EN61000-3-3
Immunity	IEC/EN60601-1-2	EN55024
ESD	IEC61000-4-2	±15KV air, ±8KV contact
Radiated Immunity	IEC61000-4-3	10V/m, 3V/m 80MHz - 2.7GMHz
EFT/Burst	IEC61000-4-4	±1KV on AC port, ±1KV on signal ports
Surge	IEC61000-4-5	1KV line to line (different mode)
Conducted Immunity	IEC61000-4-6	3Vrms, 6Vrms (0.15MHz-80MHz)
Magnetic Field	IEC61000-4-8	30 A/m
Dips & Interruptions	IEC61000-4-11	0%, 70%, 0% of UT

Others

Dielectric Withstand Voltage	4000VAC input to output
Insulation Resistance	100M Ohms, 500VDC input to output